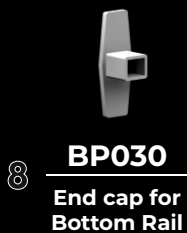
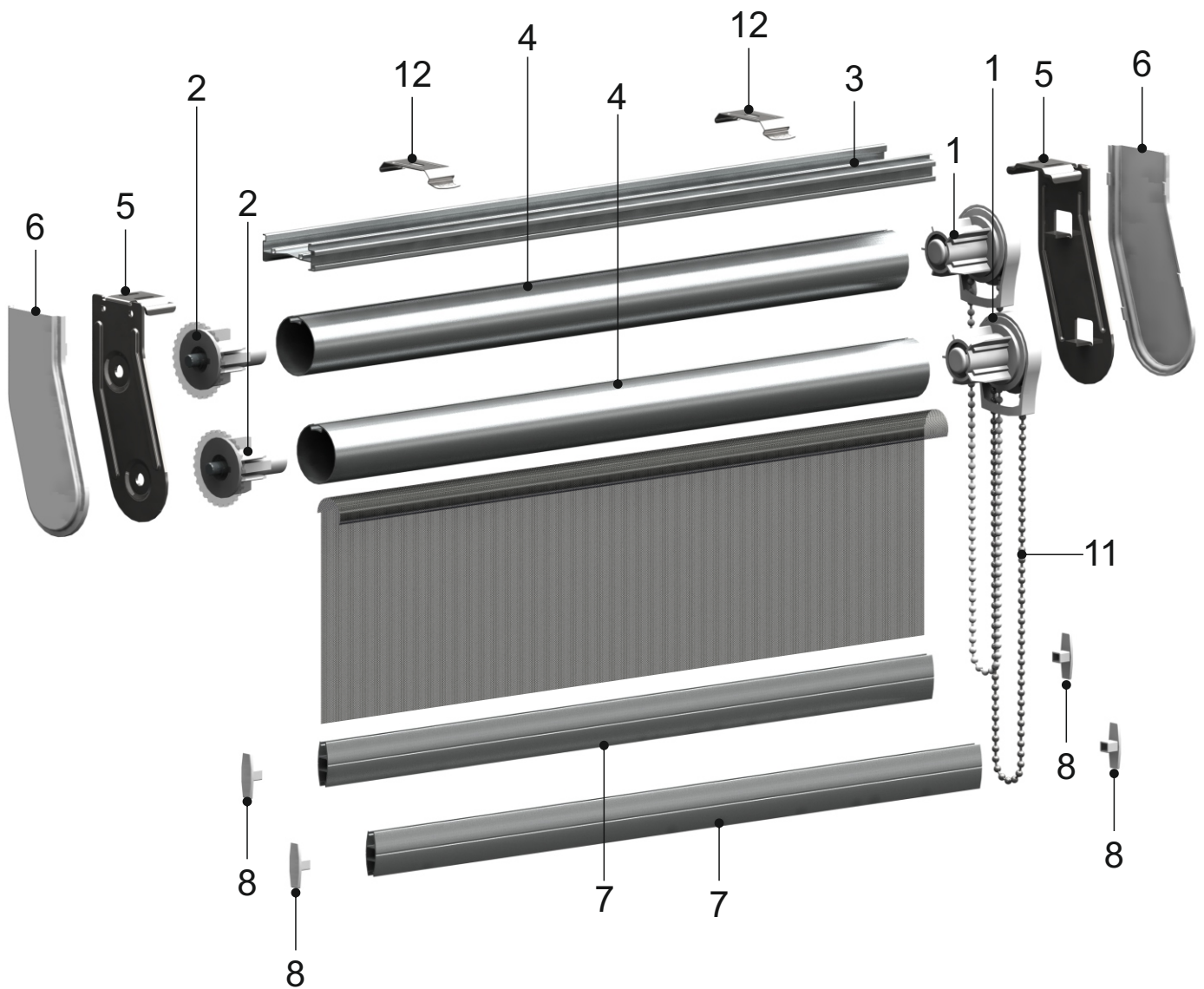


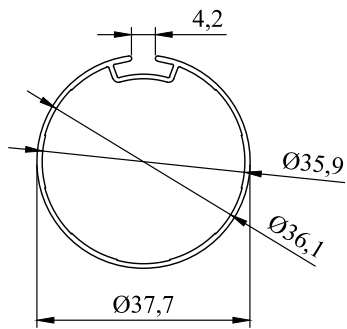
# DOUBLE SYSTEMS

## SYSTEM 91-96

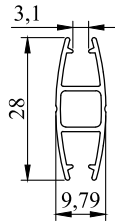


# SYSTEM 91-96

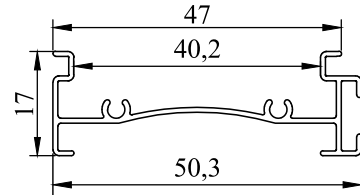
## TECHNICAL DETAILS



**BP041-04**



**BP042**



**BP076-02**

## ALTERNATIVES



**BP270-01**

Chain Weight

option available



**BP1024**

Transparency Chain Weight

option available