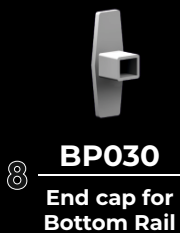
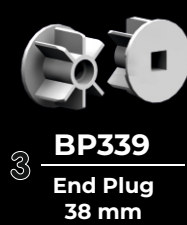
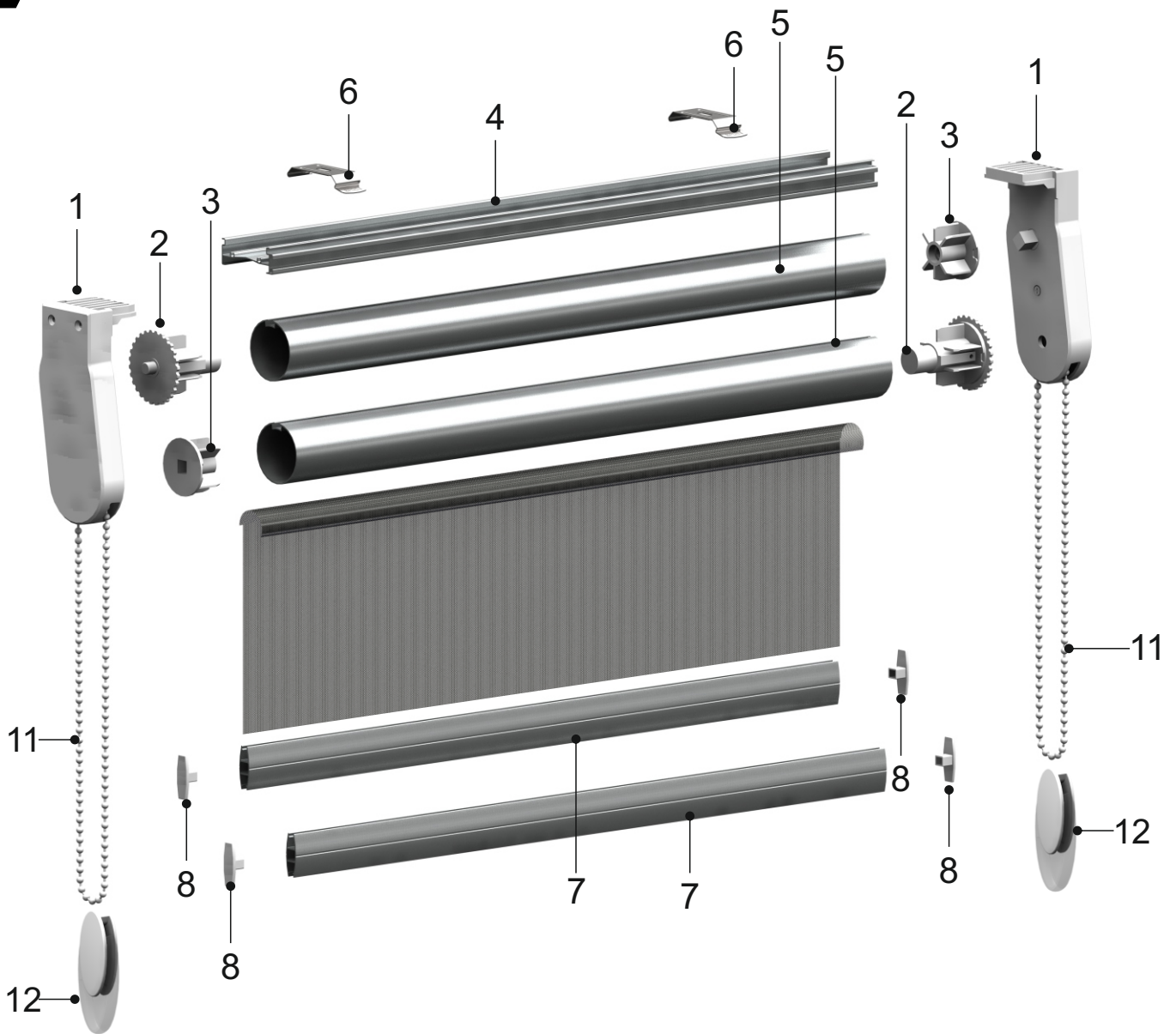


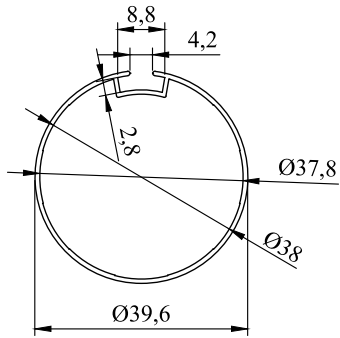
DOUBLE SYSTEMS

SYSTEM 90

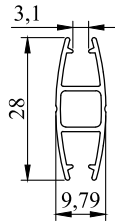


SYSTEM 90

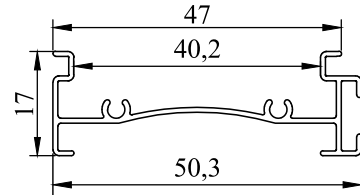
TECHNICAL DETAILS



BP041-05



BP042



BP076-02

ALTERNATIVES



BP1024

Transparency Chain Weight

option available