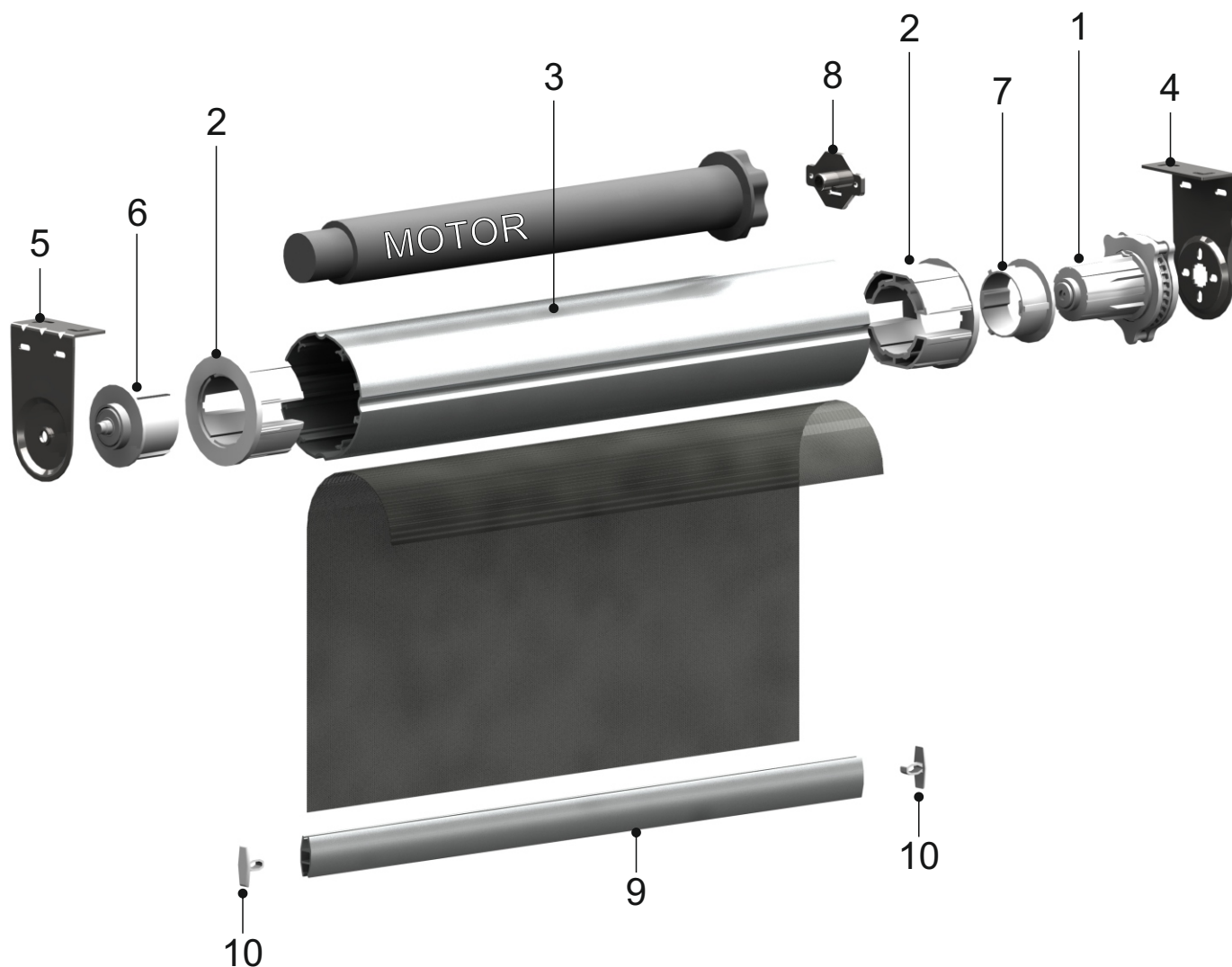


OPEN TYPE SYSTEMS

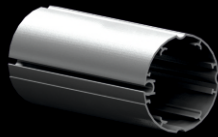
SYSTEM 67



1 **BP111-01.M**
Mechanism
47 mm



2 **BP416**
End Plug
Ø78



3 **BP723**
Aluminium
Tube 90 mm



4 **BP337-K**
Metal Side
Bracket XL



5 **BP338-Y**
Metal Side
Bracket XL



6 **BP413**
Plastic Insert



7 **BP573**
End Plug for
Mechanism



8 **BP715**
End Plug (PC)



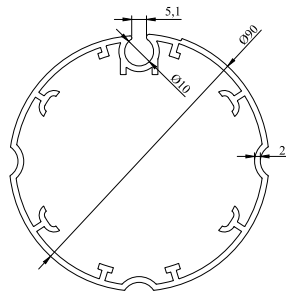
9 **BP551.PVC**
PVC Bottom
Rail



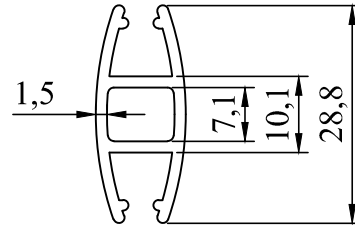
10 **BP552**
End Cap
For Bottom Rail

SYSTEM 67

TECHNICAL DETAILS



BP723



BP551.PVC