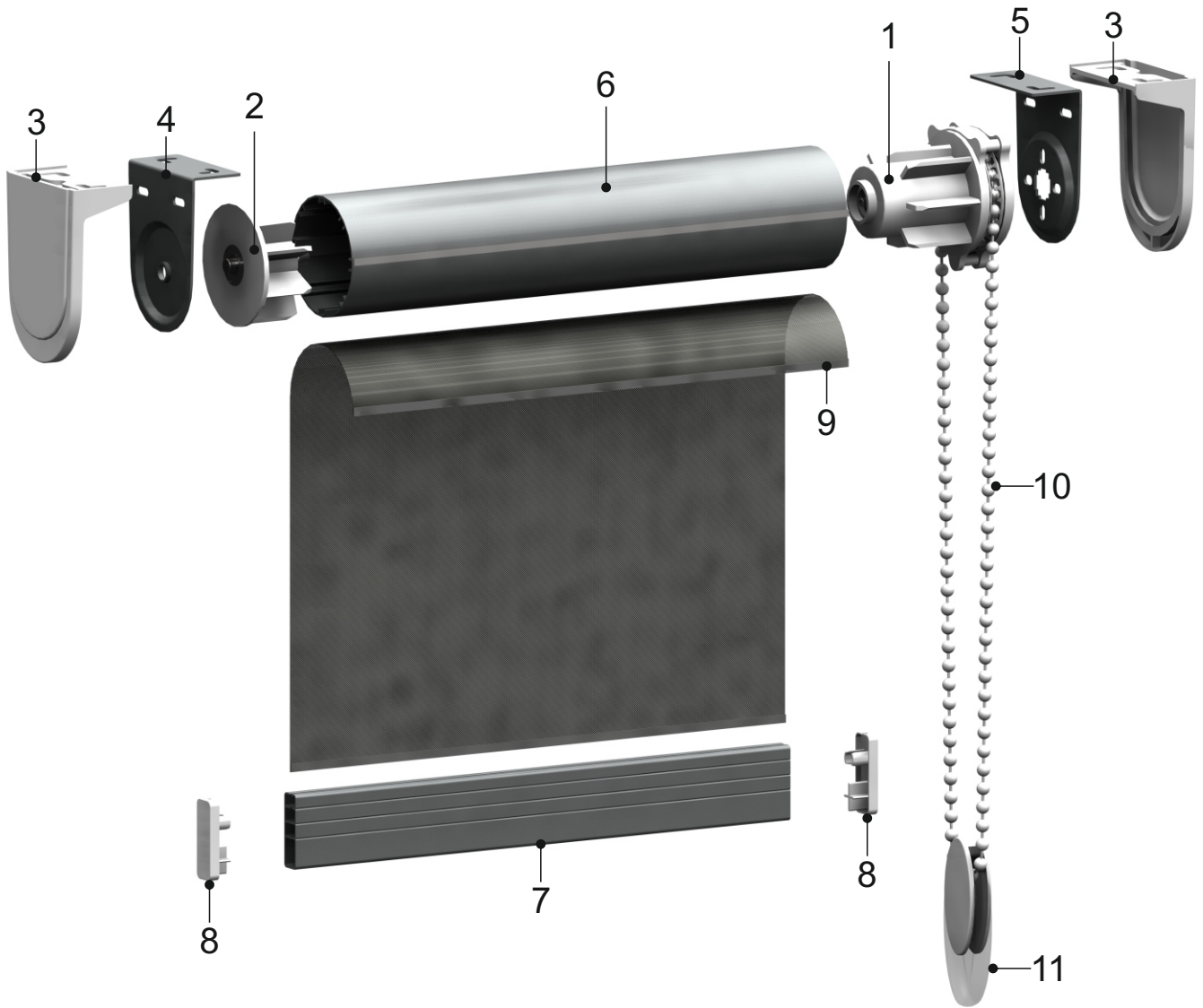


OPEN TYPE SYSTEMS

SYSTEM 66



1 **BP124-01.M**
Mechanism
with
Reducer & Bearing
65 mm

2 **BP125**
End Plug
65 mm with
Bearing & Pin

3 **BP111-P**
Plastic Cover
for the side
Bracket

4 **BP111-Y**
Metal Side
Bracket - Round

5 **BP111-K**
Metal Side
Bracket - Square

6 **BP041-08**
Aluminium
Tube 65 mm

7 **BP178**
Aluminium
Bottom Rail

8 **BP177**
End cap for
Bottom Rail

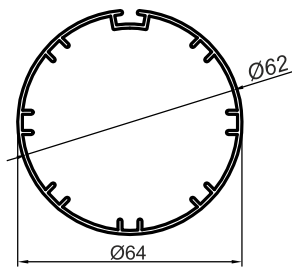
9 **BP043-03**
Plastic Tape
9 mm

10 **BP020**
Chain

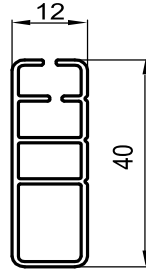
11 **BP270-01**
Chain Weight

SYSTEM 66

TECHNICAL DETAILS



BP041-08



BP178

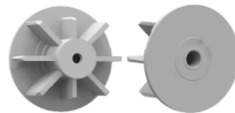
ALTERNATIVES



BP133

12 — Metal Joint Leg with Bearing

option available



BP155-03

13 — End Plug Bearing 65 mm for metal joint leg

option available



BP134

14 — Pin-Round Stick for metal Joint Leg

option available

