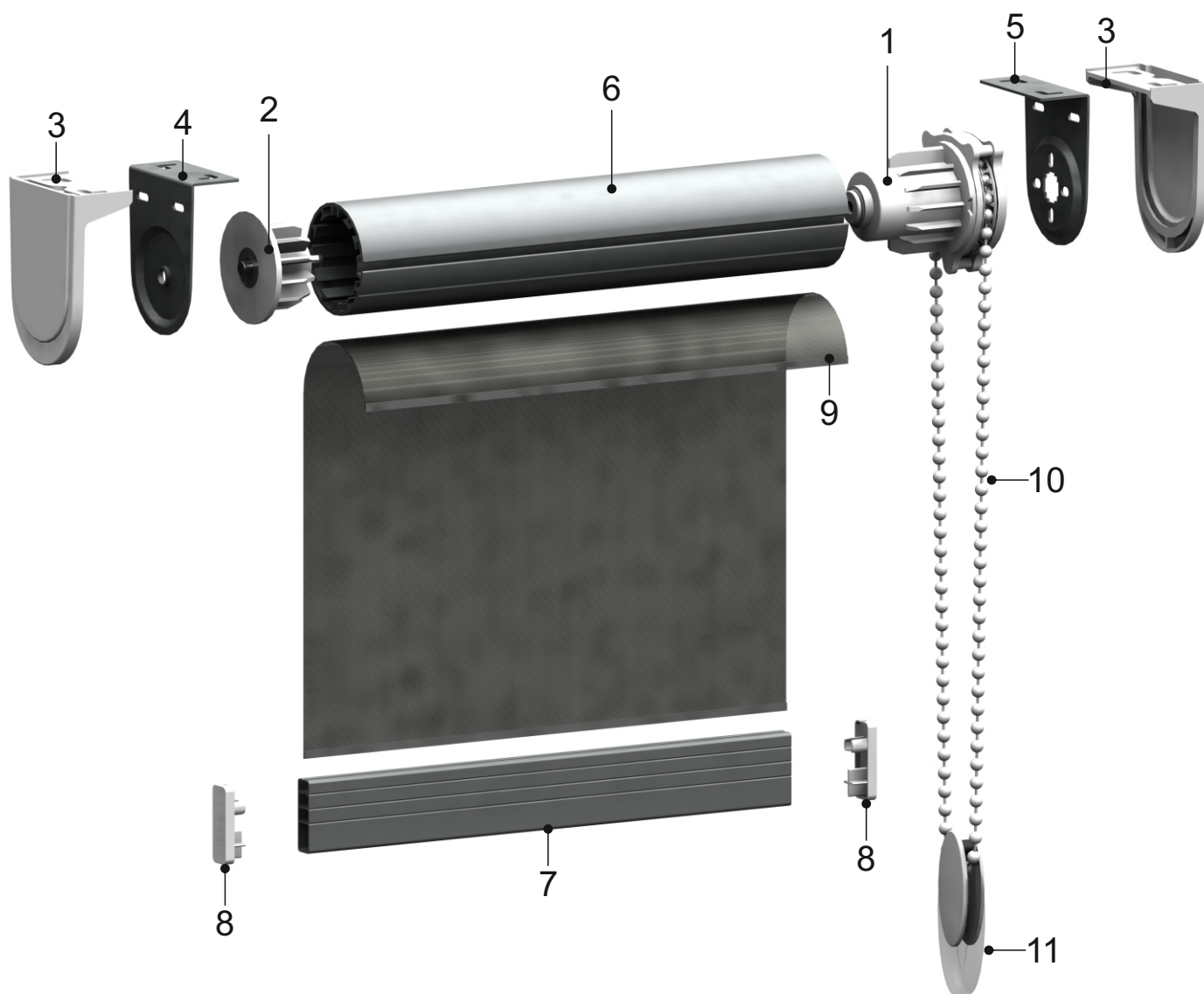


# OPEN TYPE SYSTEMS

## SYSTEM 65



**1** **BP149-01.M**  
Mechanism  
with  
Reducer & Bearing  
61 mm

**2** **BP150**  
End Plug  
61 mm with  
Bearing & Pin

**3** **BP111-P**  
Plastic Cover  
for the side  
Bracket

**4** **BP111-Y**  
Metal Side  
Bracket - Round

**5** **BP111-K**  
Metal Side  
Bracket - Square

**6** **BP041-07**  
Aluminium  
Tube 61 mm

**7** **BP178**  
Aluminium  
Bottom Rail

**8** **BP177**  
End cap for  
Bottom Rail

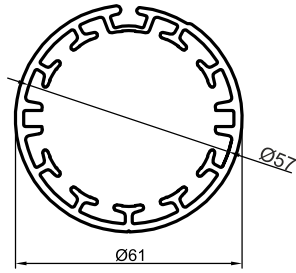
**9** **BP043-03**  
Plastic Tape  
9 mm

**10** **BP020**  
Chain

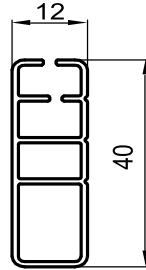
**11** **BP270-01**  
Chain Weight

# SYSTEM 65

## TECHNICAL DETAILS



**BP041-07**



**BP178**

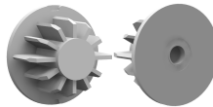
## ALTERNATIVES



**BP133**

12 Metal Joint Leg with Bearing

option available



**BP155-02**

13 End Plug Bearing 61 mm for metal joint leg

option available



**BP134**

14 Pin-Round Stick for metal Joint Leg

option available

