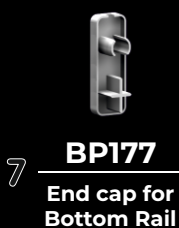
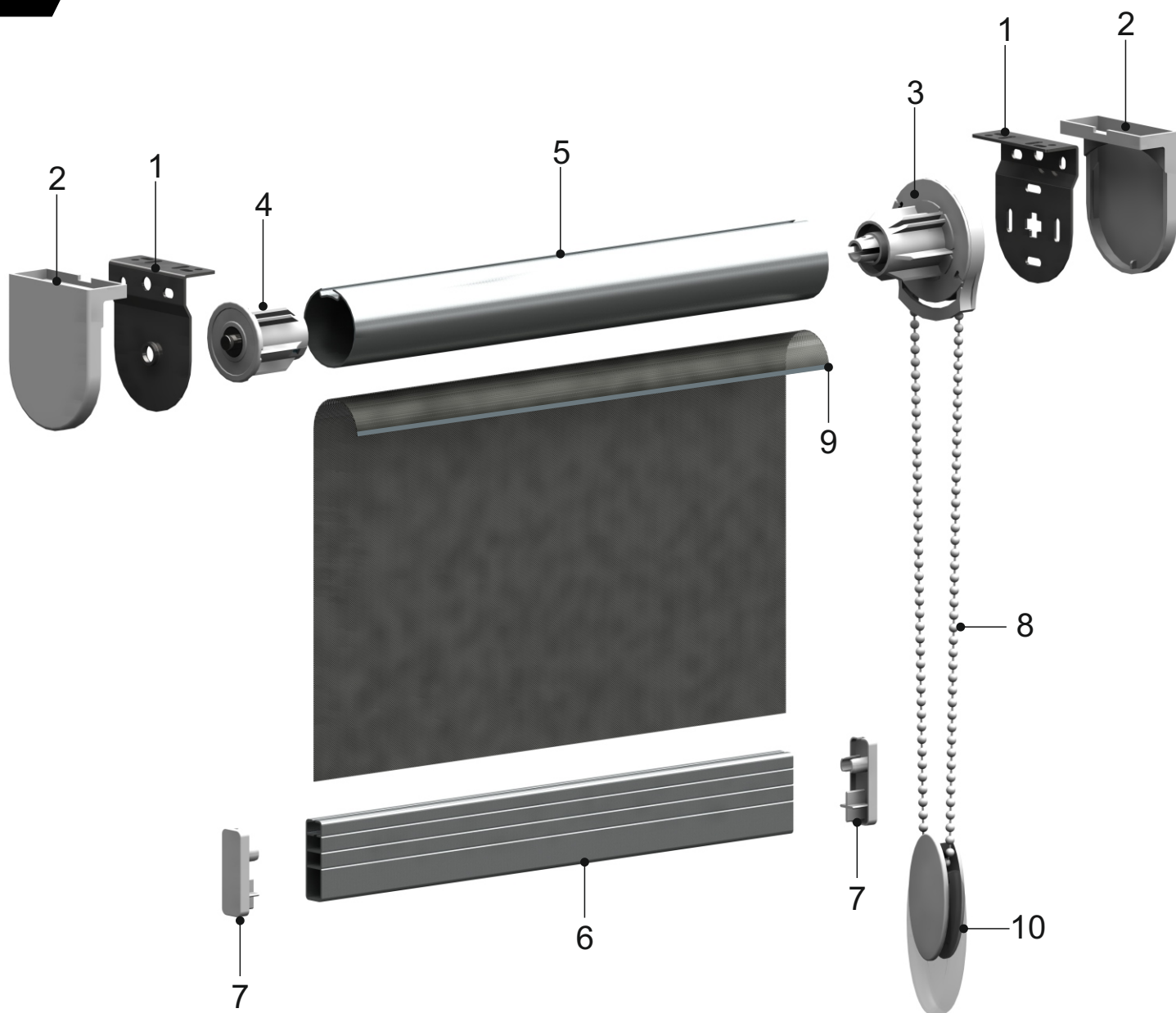


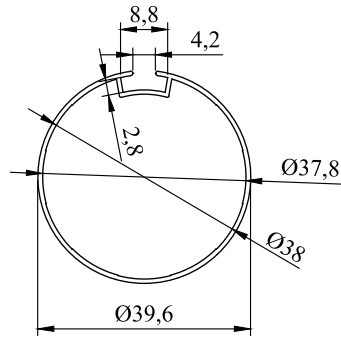
OPEN TYPE SYSTEMS

SYSTEM 61-T

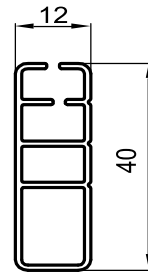


SYSTEM 61-T

TECHNICAL DETAILS



BP041-05



BP178

ALTERNATIVES



BP1483

38 mm Mechanism
(for BP1481)

option available