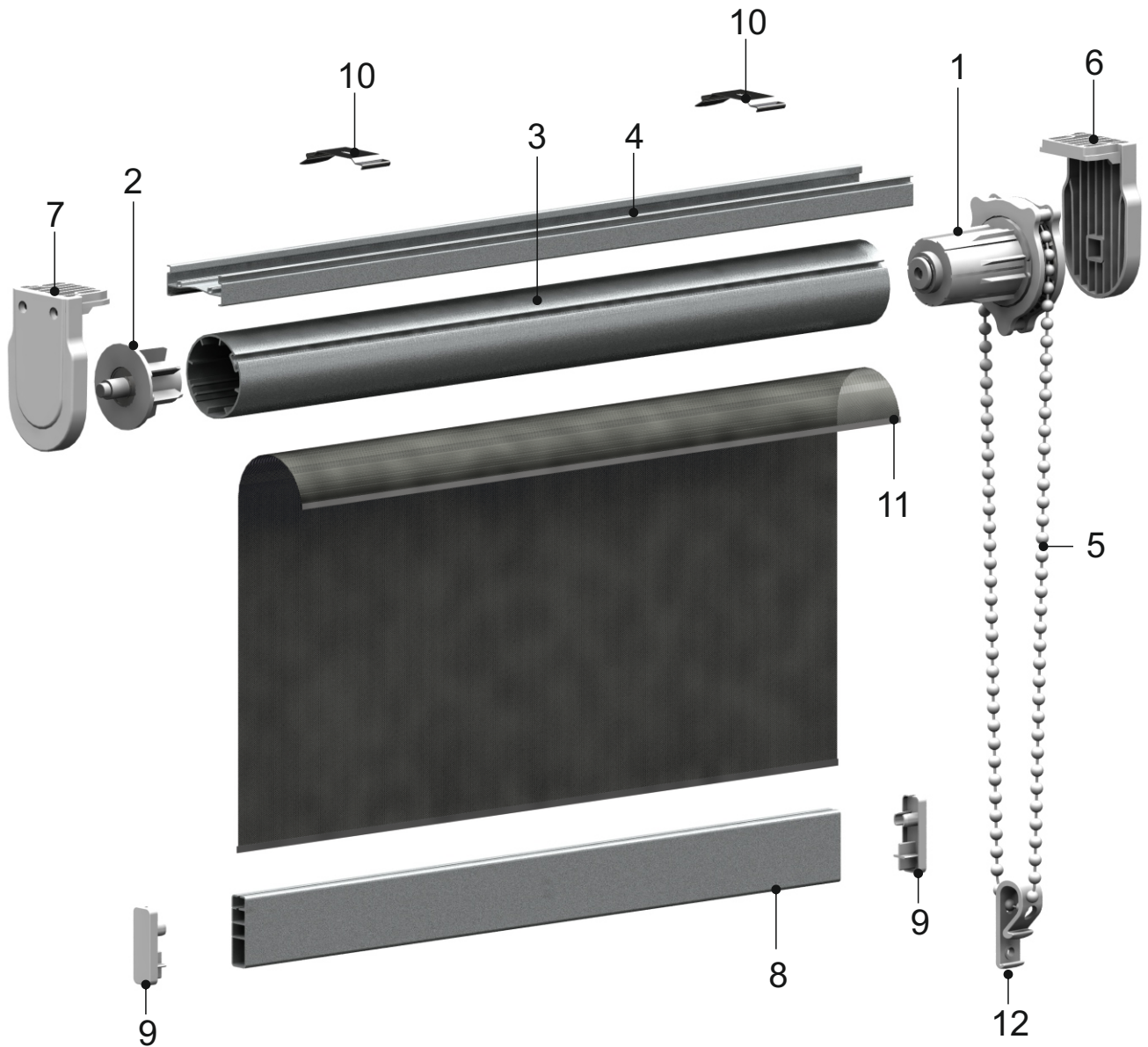



# OPEN TYPE SYSTEMS

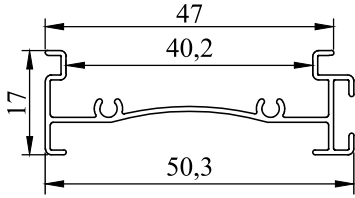
## SYSTEM 51-L



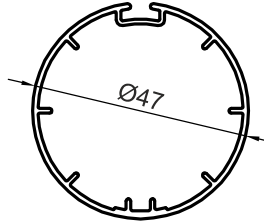
- |                                                                                     |                                                                                     |                                                                                     |                                                                                      |                                                                                       |                                                                                       |
|-------------------------------------------------------------------------------------|-------------------------------------------------------------------------------------|-------------------------------------------------------------------------------------|--------------------------------------------------------------------------------------|---------------------------------------------------------------------------------------|---------------------------------------------------------------------------------------|
|  |  |  |  |  |  |
| <b>1</b> <b>BP111-01.P</b>                                                          | <b>2</b> <b>BP111-02</b>                                                            | <b>3</b> <b>BP041-06</b>                                                            | <b>4</b> <b>BP076-02</b>                                                             | <b>5</b> <b>BP020</b>                                                                 | <b>6</b> <b>BP126-01.L</b>                                                            |
| Mechanism<br>with<br>Reducer & Bearing<br>47 mm                                     | End Plug<br>47 mm with<br>Bearing & Pin                                             | Alu. Tube<br>47 mm                                                                  | Headrail<br>47 mm                                                                    | Chain                                                                                 | Plastic Side<br>Bracket                                                               |
|  |  |  |   |  |  |
| <b>7</b> <b>BP126-02.L</b>                                                          | <b>8</b> <b>BP178</b>                                                               | <b>9</b> <b>BP177</b>                                                               | <b>10</b> <b>BP054</b>                                                               | <b>11</b> <b>BP043-03</b>                                                             | <b>12</b> <b>BP19</b>                                                                 |
| Plastic Side<br>Bracket                                                             | Aluminium<br>Bottom Rail                                                            | End cap for<br>Bottom Rail                                                          | Installation<br>Bracket                                                              | Plastic Tape<br>9 mm                                                                  | Child Safety                                                                          |

# SYSTEM 51-L

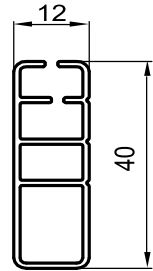
## TECHNICAL DETAILS



**BP076-02**

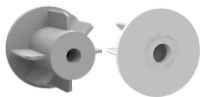


**BP041-06**



**BP178**

## ALTERNATIVES



**BP155-01**

13 — End Cap 47 mm

option available



**BP174-02**

14 — Joint Leg with Bearing

option available



**BP134**

15 — Pin-Round  
Stick for metal Joint Leg

option available

