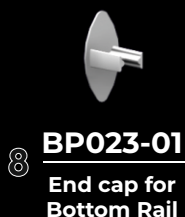
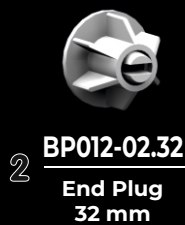
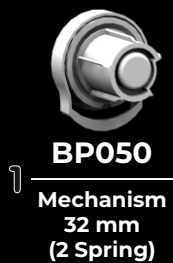
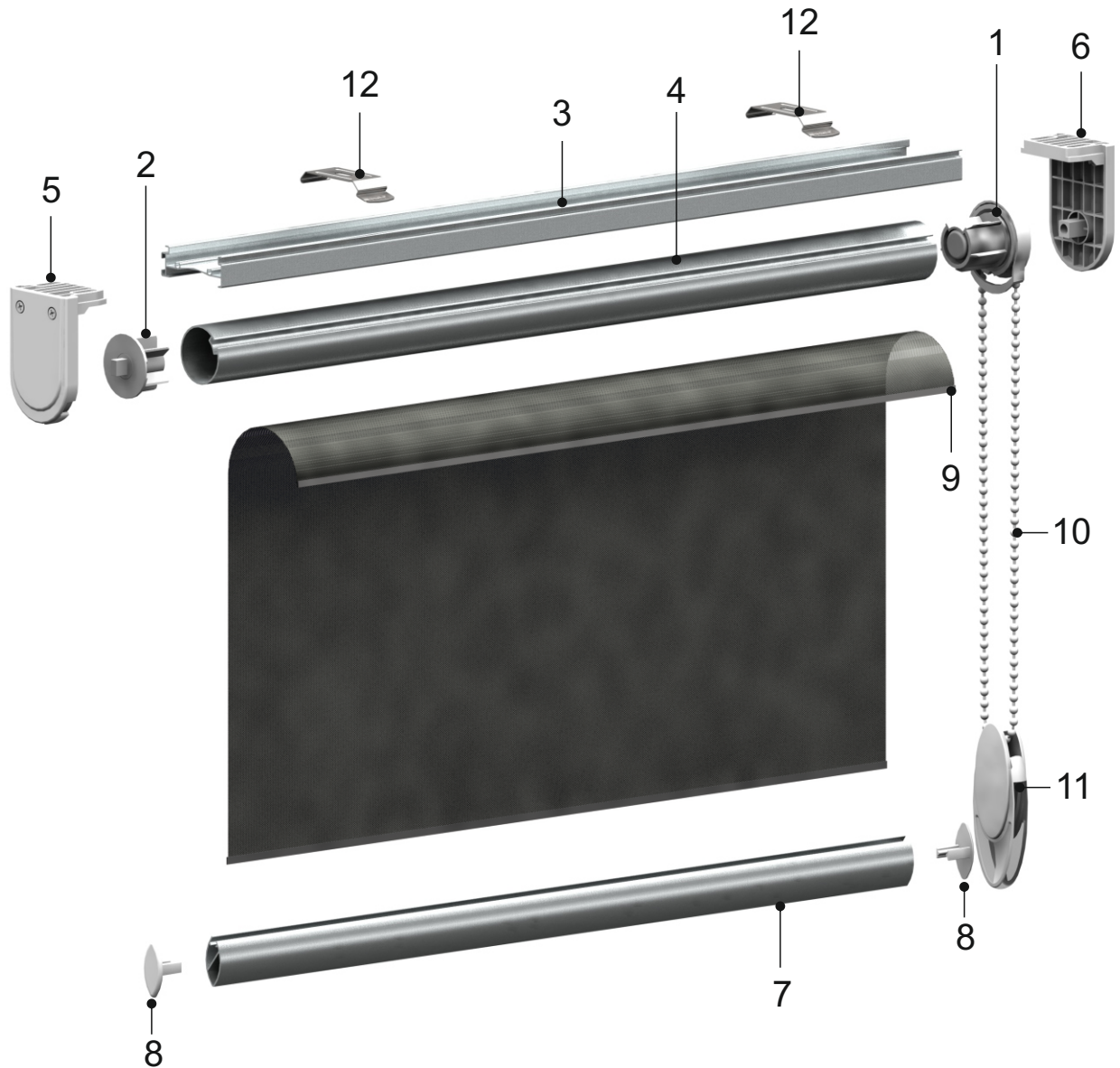


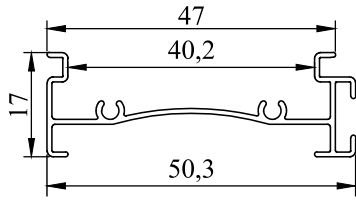
OPEN TYPE SYSTEMS

SYSTEM 49

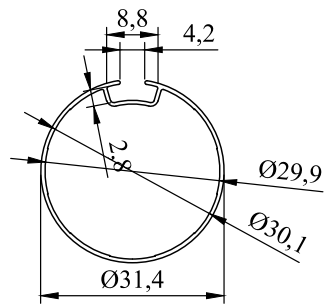


SYSTEM 49

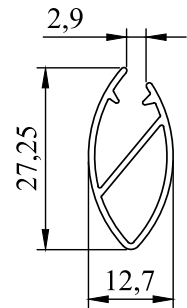
TECHNICAL DETAILS



BP076-02



BP041-03



BP077

ALTERNATIVES



BP053-01

Plastic Joint Leg with
Bearing

option available