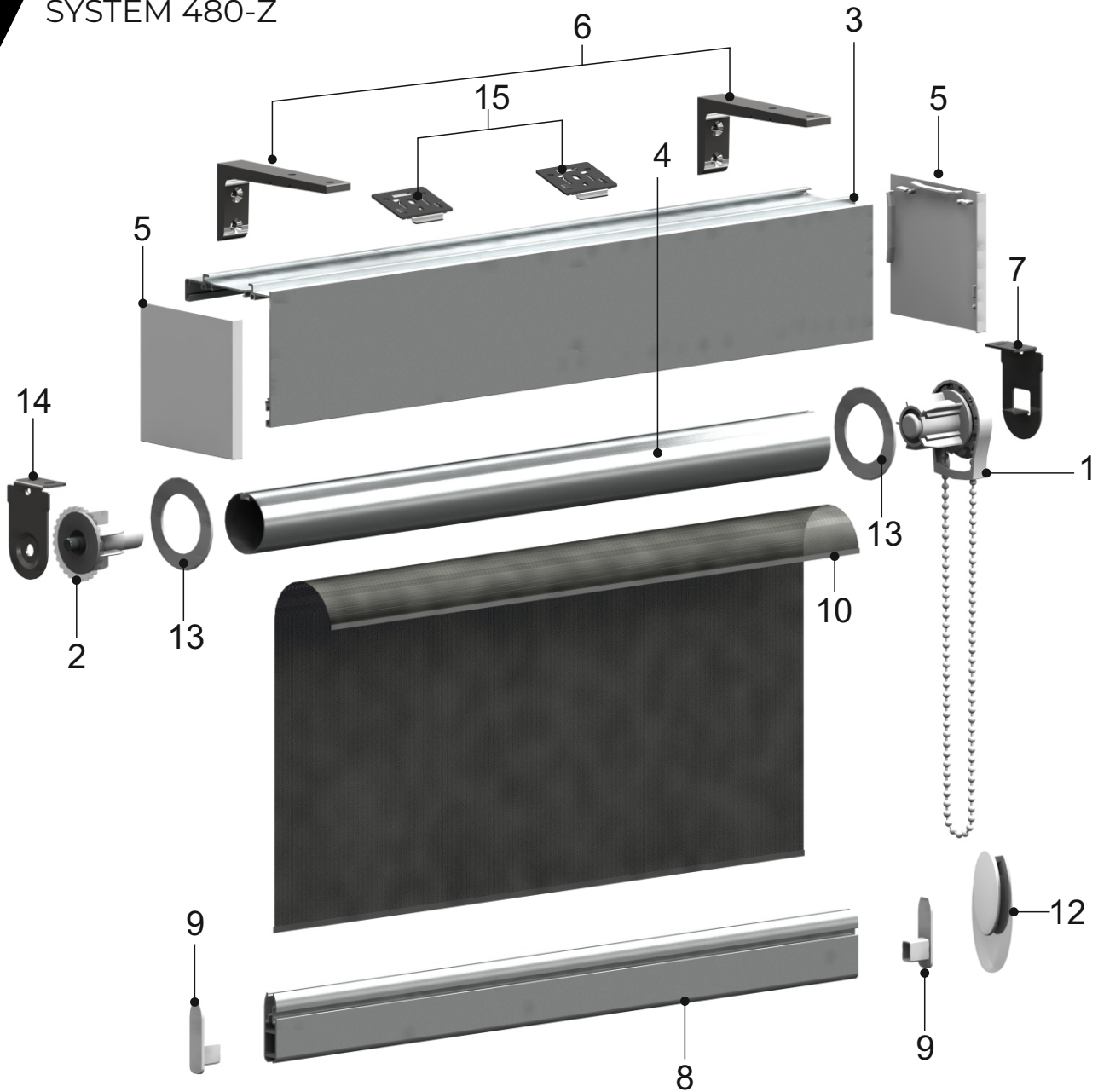


CLOSED TYPE SYSTEMS

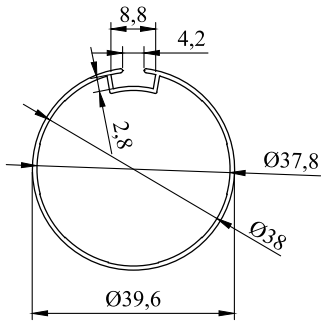
SYSTEM 480-Z



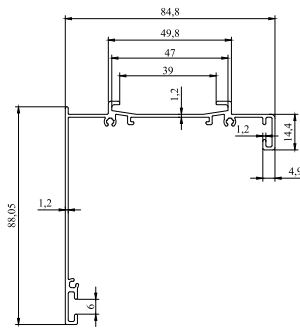
- | | | | | | | |
|---|---|---|---|---|--|--|
| | | | | | | |
| 1 BP168
Mechanism
38 mm | 2 BP220-03
End Plug
38 mm | 3 BP569
Aluminium
Cassette | 4 BP041-05
Aluminium
Tube 38 mm | 5 BP520
End Cap
(L/R) | 6 BP458-01
L Shape
Decorative
Bracket | 7 BP309
Metal Side
Bracket
-Long |
| | | | | | | |
| 8 BP815.M
Aluminium
Bottom Rail | 9 BP816
End cap for
Bottom Rail | 10 BP043-03
Plastic Tape
9 mm | 11 BP020
Chain | 12 BP270-01
Chain Weight | 13 BP529
Fabric Guider
60x38,5 mm | 14 BP310
Metal Side
Bracket
-Long |
| | | | | | | |
| | 15 BP044-02
Plastic Mil
Rod Ø4 | | | | | |

SYSTEM 480-Z

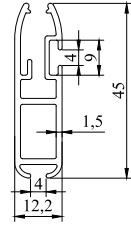
TECHNICAL DETAILS



BP041-05



BP569



BP815.M