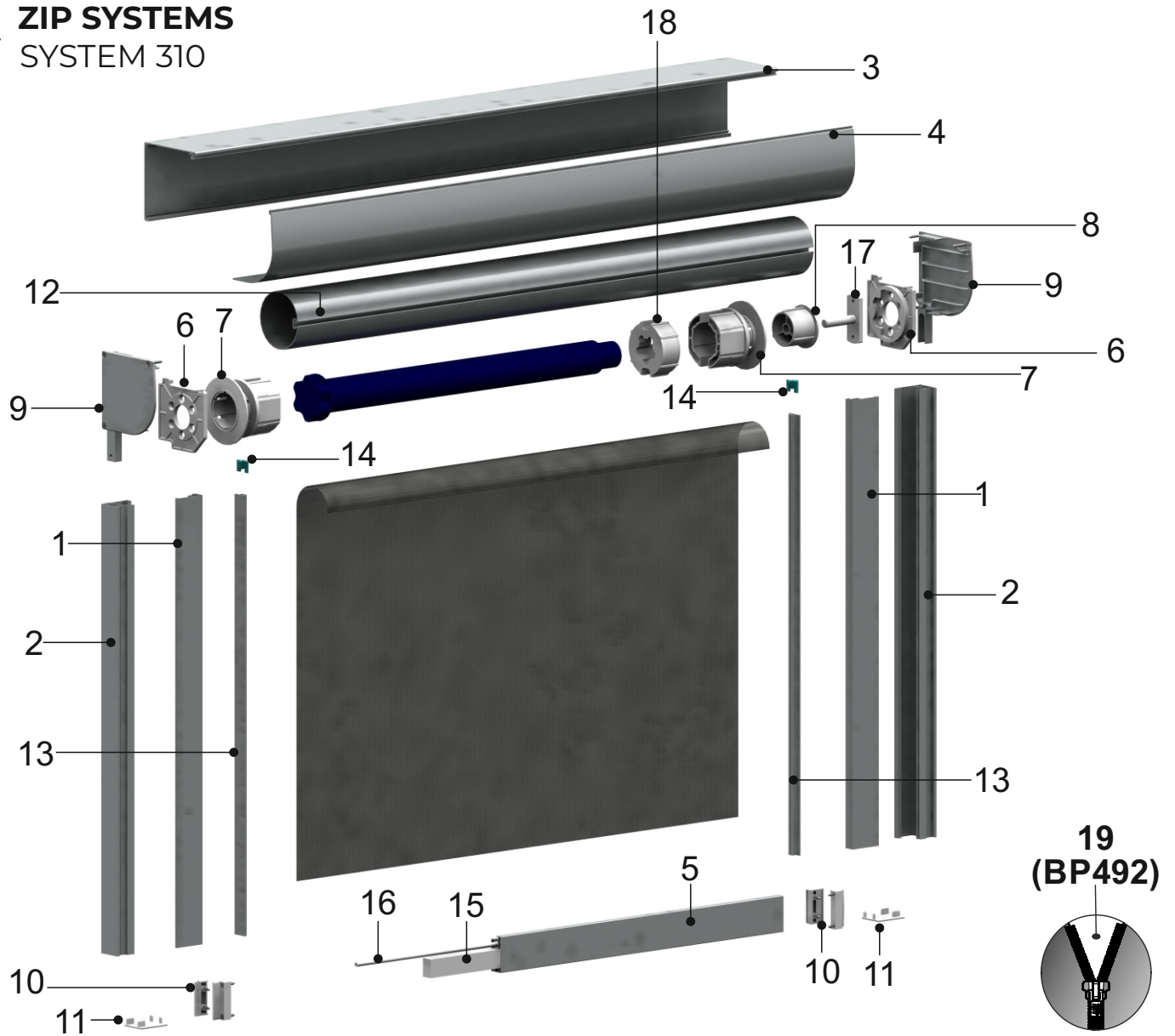


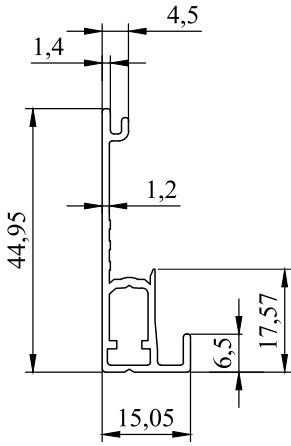
ZIP SYSTEMS SYSTEM 310



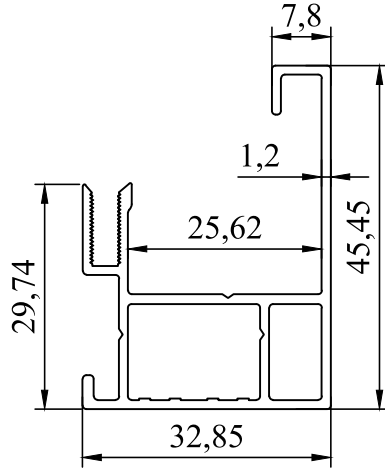
- | | | | | | | |
|---|---|---|---|---|---|---|
|  |  |  |  |  |  |  |
| 1 BP576
Aluminium
Cover for Side
Guide Profile | 2 BP575
Aluminium
Side Guide
Profile | 3 BP403
Aluminium
Cassette | 4 BP505
Aluminium
Cover for
Cassette | 5 BP597
Aluminium
Bottom Rail | 6 BP565
Fitting Cap
for BP414 | 7 BP412
End Plug for
for Motor |
|  |  |  |  |  |  |  |
| 8 BP413
Plastic Insert | 9 BP503
Aluminium
End Cap (L/R) | 10 BP598
End Cap for
Bottom Rail | 11 BP577
End Cap for
Side Guide
Profile | 12 BP421
Zip Screen
KMC Ø78
Çelik Boru | 13 BP422
PVC Profile | 14 BP423
End Cap
for BP422 |
|  |  |  |  |  | | |
| 15 BP464
Zip Screen
Weight | 16 BP433
Zip Screen
Fitol Ø3 x Ø06 | 17 BP434
Zip Screen
Metal Pin | 18 BP564
Zip Engine
adapter | | | |

SYSTEM 310

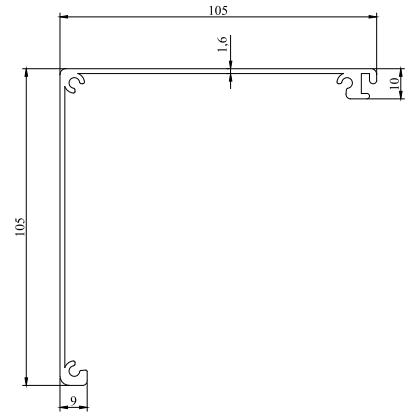
TECHNICAL DETAILS



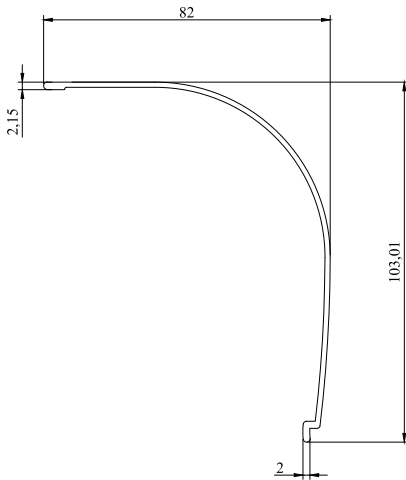
BP576



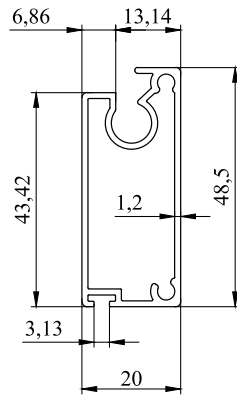
BP575



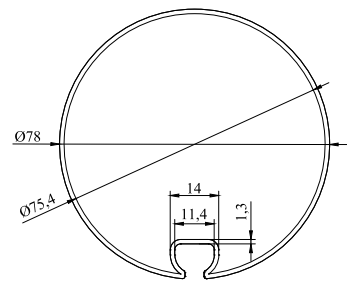
BP403



BP505



BP597



BP421