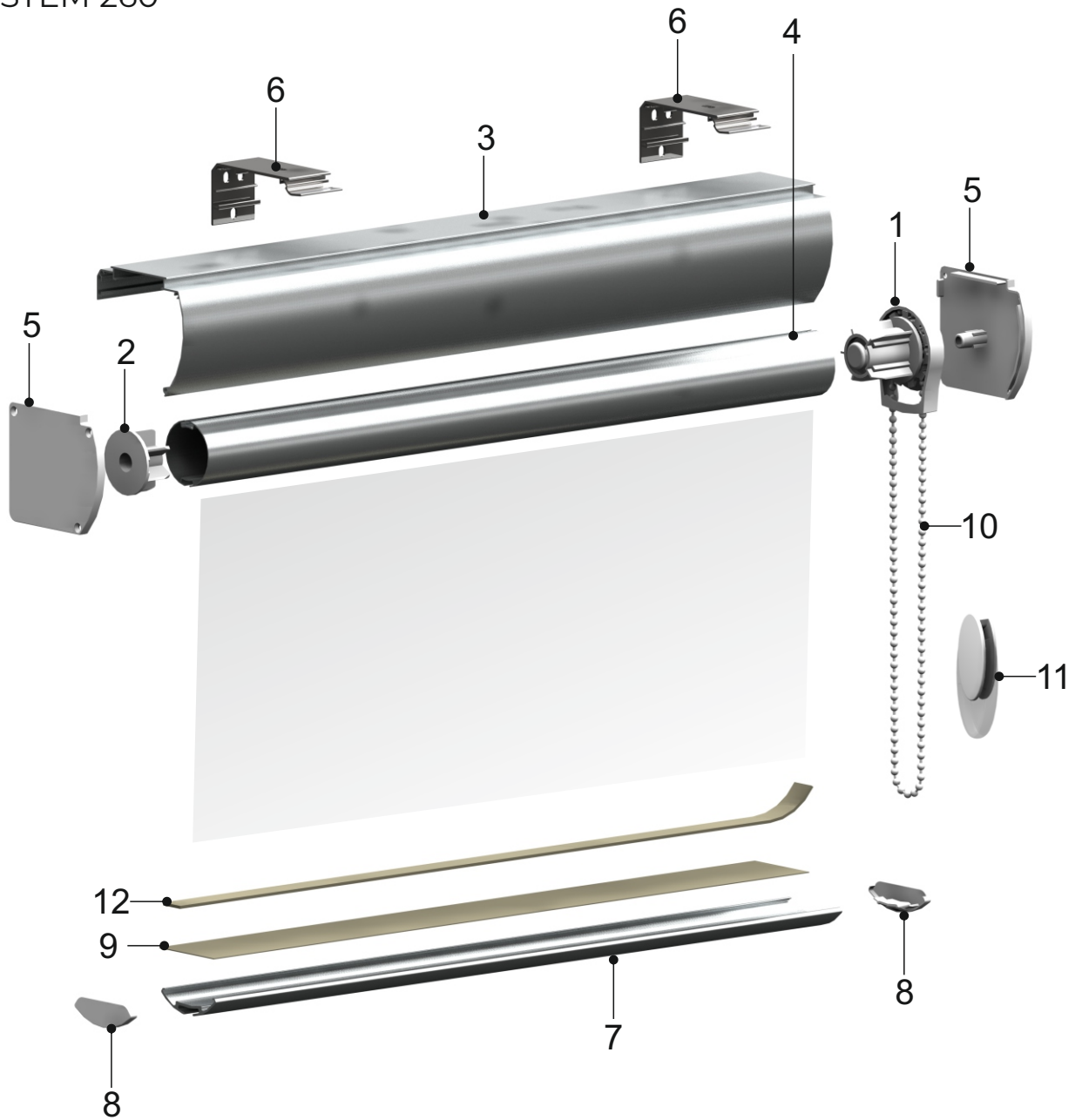
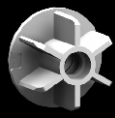


CLOSED TYPE SYSTEMS

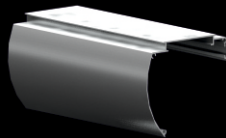
SYSTEM 260



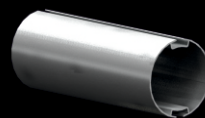
1 **BP168**
Mechanism
38 mm



2 **BP179**
End Plug
38 mm



3 **BP103**
Aluminium
Cassette
-Rounded



4 **BP160**
Aluminium
Tube 38 mm



5 **BP107**
End Cap
(L/R)



6 **BP104-01**
L Shape
Installation
Bracket



7 **BP161**
Aluminium
Bottom Rail



8 **BP162**
End cap for
Bottom Rail



9 **BP163**
Plastic Tape
50 mm



10 **BP020**
Chain



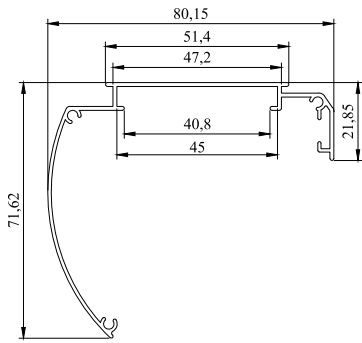
11 **BP270-01**
Chain Weight



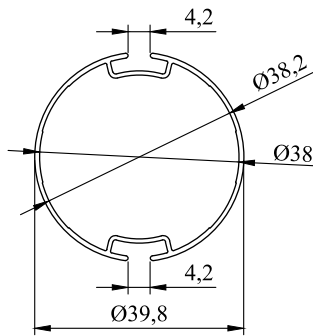
12 **BP165**
Plastic Tape
15 mm
Double Side

SYSTEM 260

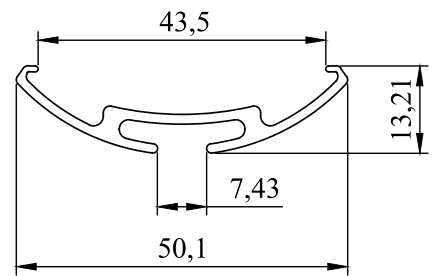
TECHNICAL DETAILS



BP103



BP160



BP161

ALTERNATIVES



BP104-02

Steel Installation Bracket

option available