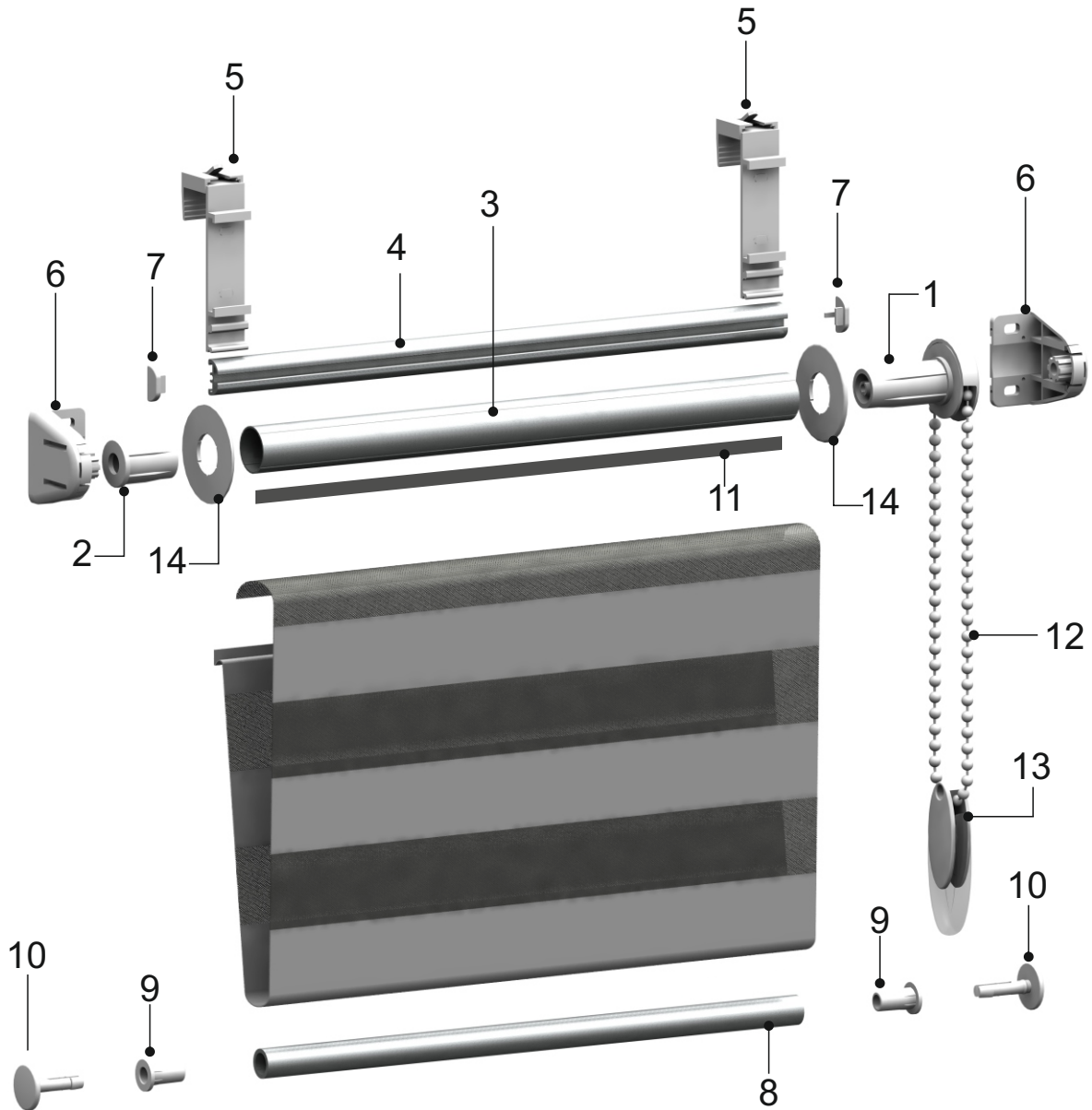


MINI SYSTEMS

SYSTEM 39-A



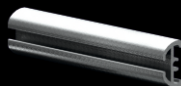
1 **BP1194**
Mechanism
17 mm Mini



2 **BP1197**
End Plug for
Ø17 mm Tube



3 **BP1098**
Aluminium
Tube Ø17



4 **BP350**
Aluminium
Zebra Profile



5 **BP1138**
Hook for
Profile (BP350)



6 **BP1141**
Plastic Side
Bracket



7 **BP712**
End Cap for
Aluminium
Zebra Rail



8 **BP1064**
Aluminium
Bottom Rail



9 **BP1065**
End Cap for
Aluminium
Bottom Rail



10 **BP1150**
End Cap for
Aluminium
Bottom Rail



11 **BP043-01**
Plastic Tape
7 mm



12 **BP020**
Chain



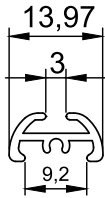
13 **BP270-01**
Chain Weight



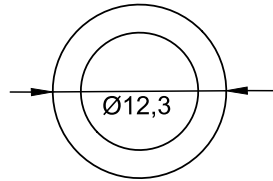
14 **BP798**
Fabric Guider
38x15.7 mm

SYSTEM 39-A

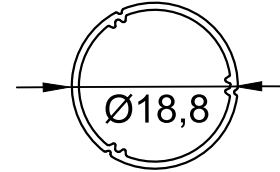
TECHNICAL DETAILS



BP350



BP1064



BP1098

ALTERNATIVES



BP234

Aluminium Bottom Rail

option available



BP213

Plastic Side Bracket

option available



BP237

End Cap for Bottom Rail

option available